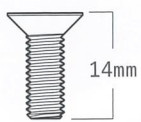


# HANDLEBAR FIXING SCREWS

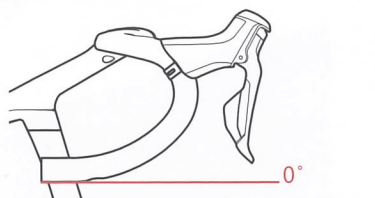
**⚠ WARNING**

The handlebar stack can be increased by 2.5mm or rotated in increments of 2.5° or 5° by the use of specific Stack Spacer or Pitch Adjust Wedge kits. Do not mix Stack Spacer and Pitch Adjust Wedge kits.

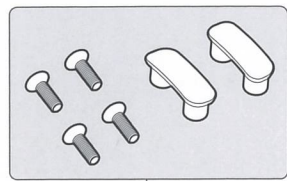


Bar Fixing Screw  
M5 x 14mm  
Actual Size

**0mm Stack Kit**



- Handlebar Fixing Nuts (L + R) for 0mm stack
- M5 x 14mm Bolts (x4)



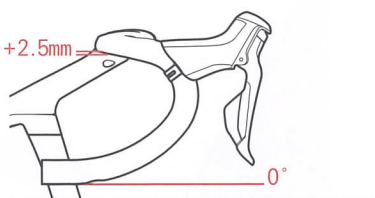
HBP-AB08-ZERO



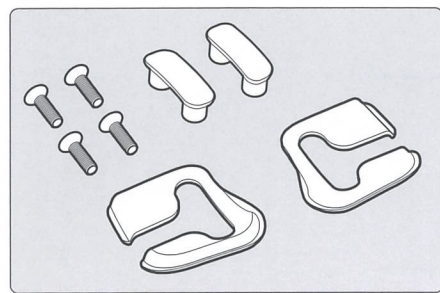
**⚠ WARNING**

All handlebar mounting parts are clearly labeled for proper installation. Mixing parts will void warranty and may result in injury.

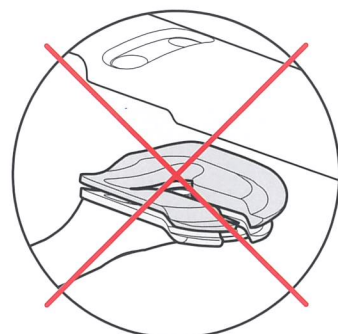
**2.5mm Stack Kit**



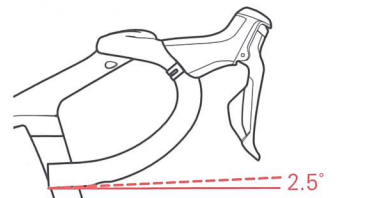
- Handlebar Fixing Nuts (L + R) for 2.5mm stack
- 2.5mm Bar Spacers (L + R)
- M5 x 16mm Bolts (x4)



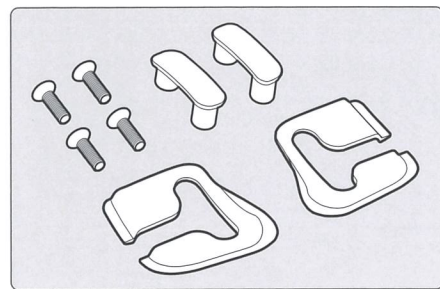
HBP-AB08-2.5MM



**2.5° Pitch Adjust Kit**



- Handlebar Fixing Nuts (L + R) for 2.5° rotation
- 2.5° Pitch Adjust Wedge (L + R)
- M5 x 16mm Bolts (x4)

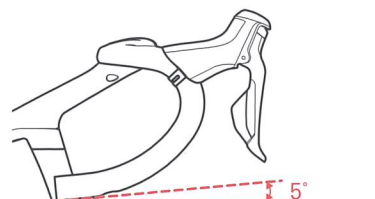


HBP-AB08-2.5DEG

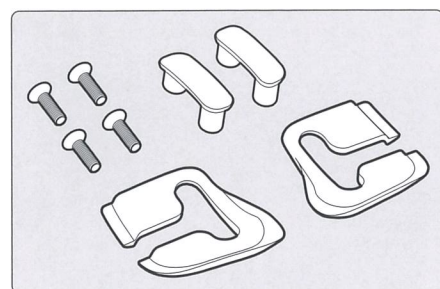
**⚠ WARNING**

Complete Handlebar Stack Spacer or Pitch Adjust Wedge kits must be utilized without substitution or combination of parts. Failure to use the specified parts and to follow the supplied assembly instructions may result in a loss of control while riding and potentially serious injury.

**5° Pitch Adjust Kit**



- Handlebar Fixing Nuts (L + R) for 5° rotation
- 5° Pitch Adjust Wedge (L + R)
- M5 x 16mm Bolts (x4)



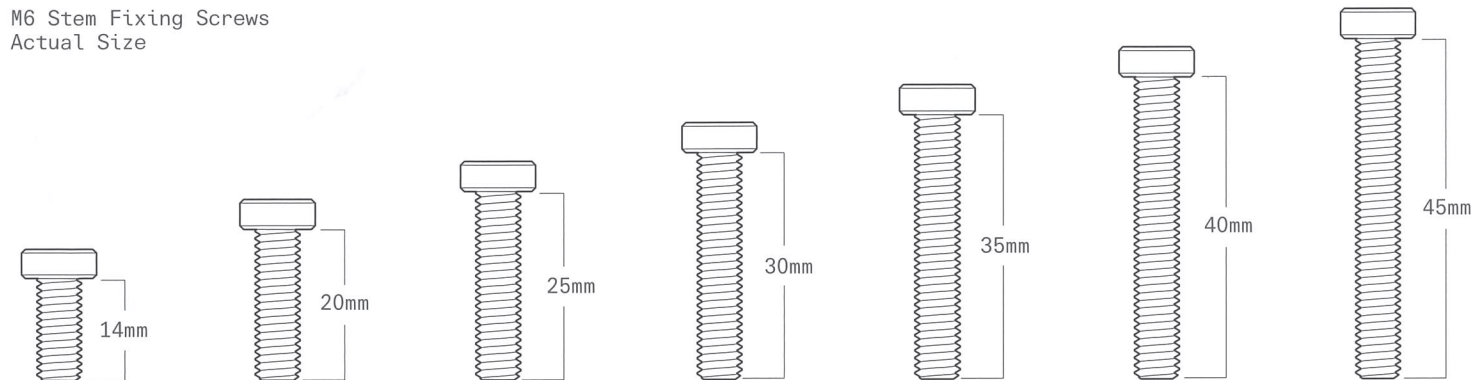
HBP-AB08-5DEG

# STEM FIXING SCREWS

**⚠ WARNING**

To ensure rider safety, it is critical that the supplied fixing screws be used, and matched to the indicated spacer size and configuration. Failure to do so may result in catastrophic failure of the steering mechanism, and injury to rider.

M6 Stem Fixing Screws  
Actual Size



M6 x 14mm  
No Spacers  
BT-C028-14

M6 x 20mm  
5mm (1 Spacer)  
BT-C028-20

M6 x 25mm  
10mm (2 Spacers)  
BT-C028-25

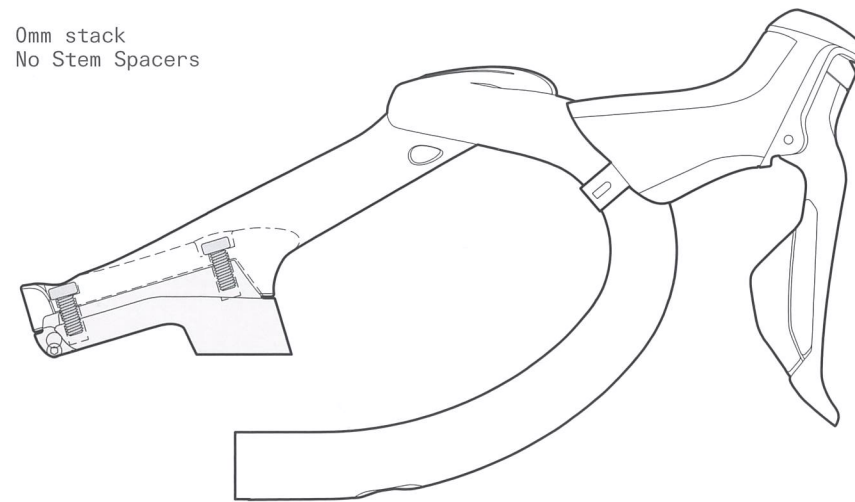
M6 x 30mm  
15mm (3 Spacers)  
BT-C028-30

M6 x 35mm  
20mm (4 Spacers)  
BT-C028-35

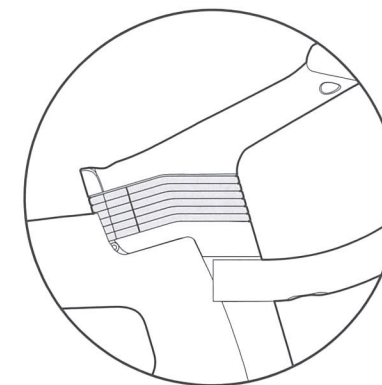
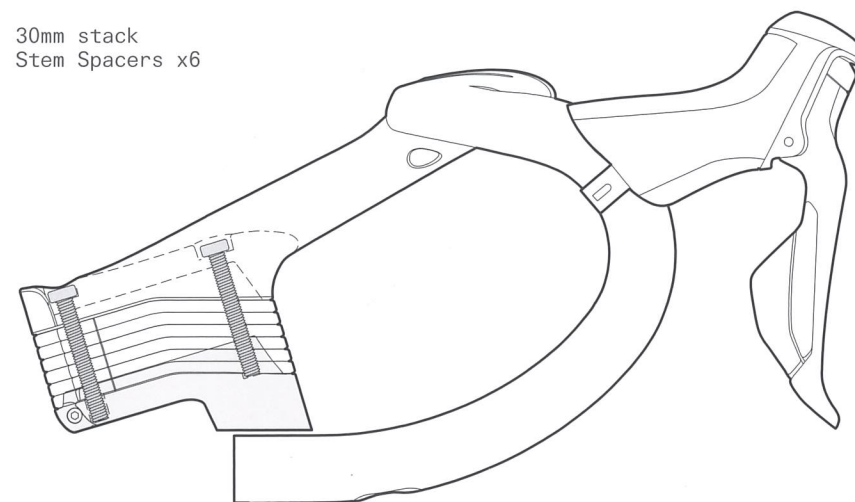
M6 x 40mm  
25mm (5 Spacers)  
BT-C028-40

M6 x 45mm  
30mm (6 Spacers)  
BT-C028-45

0mm stack  
No Stem Spacers



30mm stack  
Stem Spacers x6



**NOTE:** Maximum stem stack adjustment is 30mm. This requires the use of all six 5mm Stem Spacers.